



6-CNJ-65

12V65Ah

FUWEI

ENERGY

Component	Positive plate	Negative	Container	Cover	Safety Valve	Terminal	Separator	Electrolyte
Raw Material	Lead dioxide	Lead	ABS	ABS	Rubber	Copper	AGM	H2SO4

Performance characteristics

Nominal Voltage 12V

Number of cell Six

Nominal Capacity at 25 °C/77 °F

10Hr at 6.5 A to 10.8V-- 65 Ah

5Hr at 11.2 A to 10.5V-- 56 Ah

1Hr at 42.8 A to 9.6V-- 42.8 Ah

Internal Resistance

Fully charged battery at 25 °C

≤ 7 mΩ

Average Self-discharge at 20 °C/68 °F

<3% lost of capacity per month

Operating Temperature range:

Discharge at -20~60 °C

Charge at -10~60 °C

Storage at -20~60 °C

Max. discharge current at 25 °C: 975 A(5s)

Charge Methods constant voltage charge at 25 °C

Cycle use---2.4~2.45V/cell;

Maximum initial charging current 19.5 A

Temperature compensation

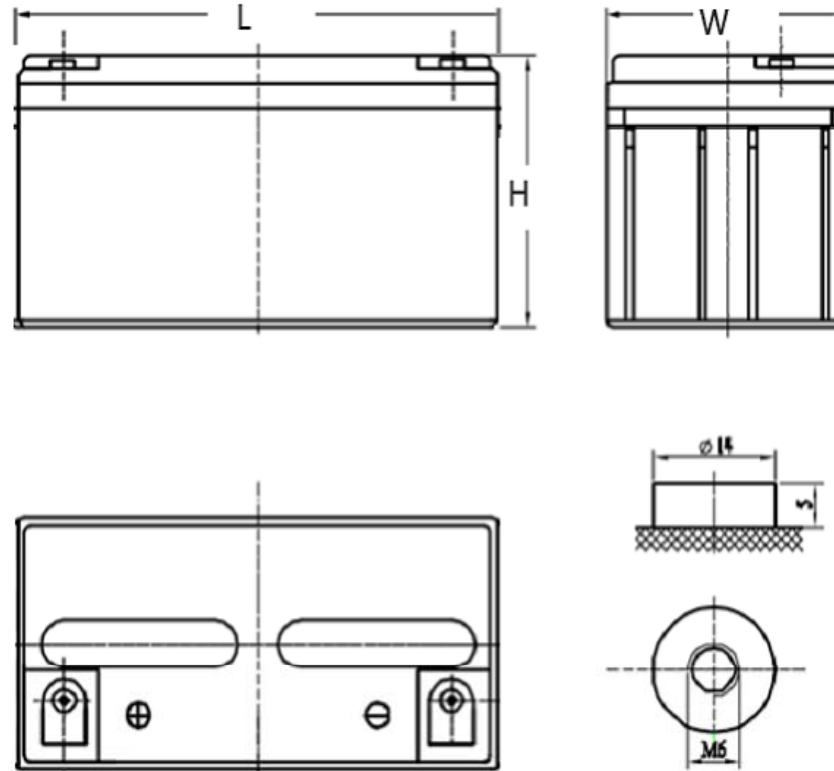
-5mV/cell/ °C

Standby use---2.25~2.30V/cell

Temperature compensation

-3mV/cell/ °C

	Length	Width	Height	Total H	Weight	Terminal
mm/Kg	350	166	174	174	19.7	F11
inch/lb	13.8	6.54	6.85	6.85	43.4	M6





FUWEI

ENERGY

You can expect our batteries meet with the standards JIS, DIN, IEC60986-21/22 & BS6290-4.

Discharge Data

Discharge Constant Current (Amperes at 77°F /25°C)																									
End Point	5mi	10mi	15mi	20mi	25mi	30mi	35mi	40mi	45mi	50mi	55mi	1h	1.5h	2h	2.5h	3h	4h	5h	6h	7h	8h	9h	10h	12h	24h
1.60V	230	163	125	100	86.7	75.6	66.4	59.6	54.7	50.1	46.9	42.8	31.1	25.5	21.1	18.4	14.6	12.2	10.6	9.48	8.40	7.58	7.04	5.96	3.25
1.65V	215	152	117	94.5	81.5	71.2	63.1	56.6	52	47.7	44.7	40.9	30.1	24.4	20.3	17.7	14.2	11.8	10.3	9.15	8.21	7.45	6.83	5.77	3.22
1.70V	200	142	110	88.8	76.6	66.9	59.6	53.6	49	45.2	42.5	39	29	23.6	19.5	17.1	13.8	11.5	10.0	8.94	7.99	7.29	6.72	5.69	3.17
1.75V	186	132	102	82.9	71.5	62.6	56.3	50.4	46.3	42.5	40.1	37.1	27.6	22.4	18.9	16.5	13.3	11.2	9.75	8.75	7.80	7.15	6.61	5.61	3.14
1.80V	171	122	95	77.2	66.4	58.2	52.8	47.4	43.3	40.1	37.9	35.2	26.5	21.4	18.1	15.9	12.9	10.9	9.48	8.53	7.58	6.99	6.50	5.53	3.09
Discharge Constant Power per cell (Watts at 77°F /25°C)																									
End Point	5mi	10mi	15mi	20mi	25mi	30mi	35mi	40mi	45mi	50mi	55mi	1h	1.5h	2h	2.5h	3h	4h	5h	6h	7h	8h	9h	10h	12h	24h
1.60V	406	290	223	179	155	135	119	107	98.9	90.7	85.3	78.5	58.2	47.9	40.1	35.2	28.4	23.9	21	18.6	16.7	15.1	13.8	11.7	6.55
1.65V	382	274	210	170	147	128	114	102	94.3	86.7	81.8	75.6	56.3	46.3	38.7	34.1	27.6	23.3	20.5	18.2	16.3	14.8	13.7	11.6	6.47
1.70V	355	255	198	160	139	121	108	97.2	89.4	82.6	78.3	72.6	54.4	44.4	37.6	33	26.9	22.8	20	17.8	16	14.6	13.5	11.4	6.42
1.75V	330	238	186	151	130	114	103	92.4	84.8	78.5	74.5	69.3	52.5	42.8	36.3	32	26.2	22.2	19.4	17.4	15.5	14.3	13.2	11.3	6.34
1.80V	303	221	173	141	122	107	97	87.2	79.9	74.5	71	66.4	50.6	40.9	34.9	30.9	25.5	21.7	18.9	17	15.2	14.0	13.1	11.1	6.26

Note: The above characteristics data are average values obtained within three charge/discharge cycles not the minimum values.

All data shall be changed without notice. FUWEI reserves the right to explain and update the information contained hereinto.

Application

- UPS
- Telecom Systems
- Electric Wheelchair
- Power Station
- Military Equipment
- Emergency Power System
- Railway System

General Features

- Environmentally friendly
- Long Service Life, in Float and Cyclic
- Lower internal Resistance
- High Reliability and Good Quality
- International Standard, JIS and DIN
- lead-tin-calcium alloy grids for long service life
- Thick pasted plates with high quality





FUWEI

ENERGY

<http://www.fwny.net/en/>

6-CNJ-65

12V65Ah

